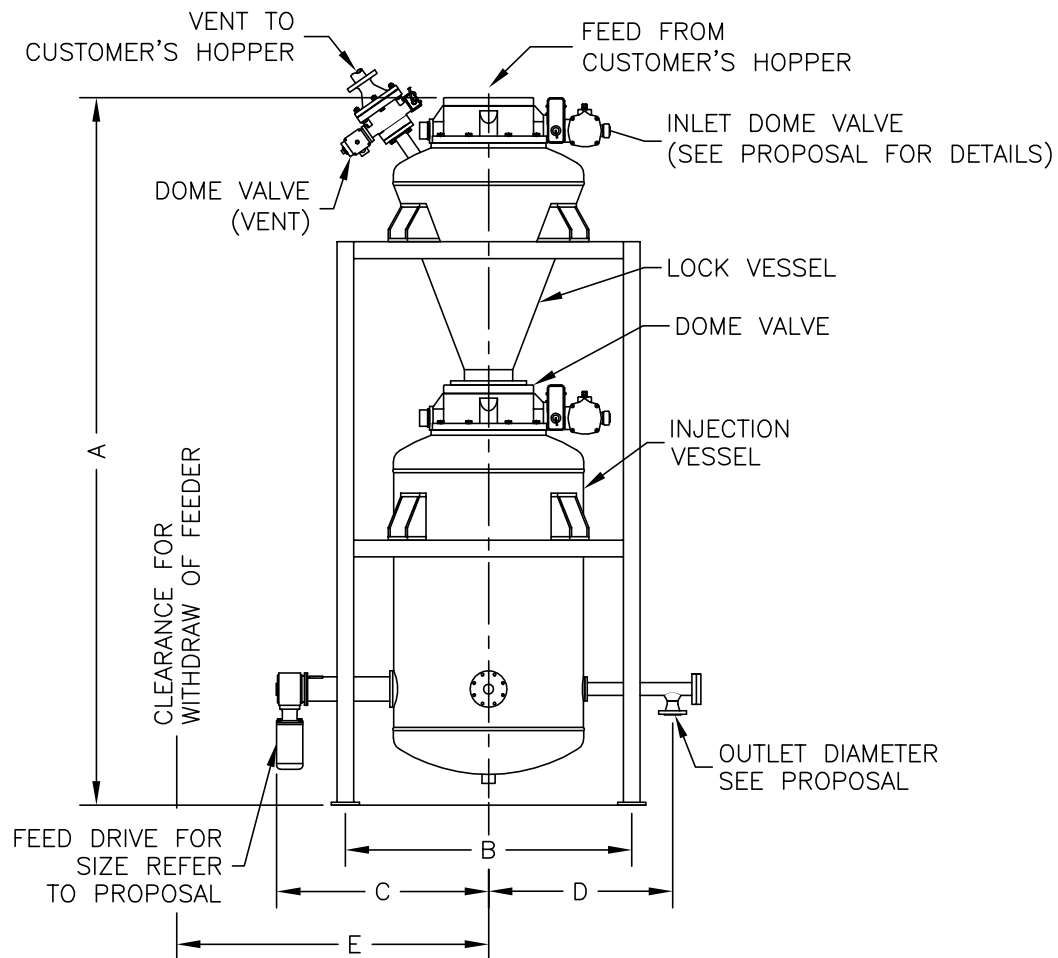


CONTINUOUS CONTROLVEYOR®



MODEL	DIMENSIONS (MM)					NET WT. KG
	A	B	C	D	E	
C-4/8-2/8-C	2900	1000 x 1000	750	600	1200	1000
C-8/8-4/8-C	3500	1000 x 1000	850	600	1200	1150
C-12/8-6/8-C	3500	1300 x 1300	1000	750	1400	1350
C-20/12-10/12-C	4250	1700 x 1700	1200	900	1600	2100
C-30/12-15/12-C	4750	1700 x 1700	1350	1000	1800	2650
C-50/12-25/12-C	5600	2000 x 2000	1500	1100	2200	3750
C-80/12-40/12-C	6700	2200 x 2200	1650	1400	2500	4500
C-120/12-60/12-C	7250	2600 x 2600	2000	1750	3200	6750

Note : Dimensions are provide at a guide for planning purposes and preliminary only.

The well proven **Controlveyor®** is a unique injection feed system which achieves a high degree of flow rate accuracy with smooth unpulsed flow into the customer's process. The flow is continuous into the process and the material can be injected against any back pressure. Standard Rate turn down of up to 10:1 from maximum is provided independently of back pressure variations. The flow rate is infinitely variable within the range and the flow rate can be locally or remotely controlled. Alternately, the rate may be controlled in a "closed-loop" manner by the customer's process control.

INFORMATION NOT CERTIFIED FOR INSTALLATION PURPOSES