

DOME VALVE® II

INFLATABLE SEAT VALVES

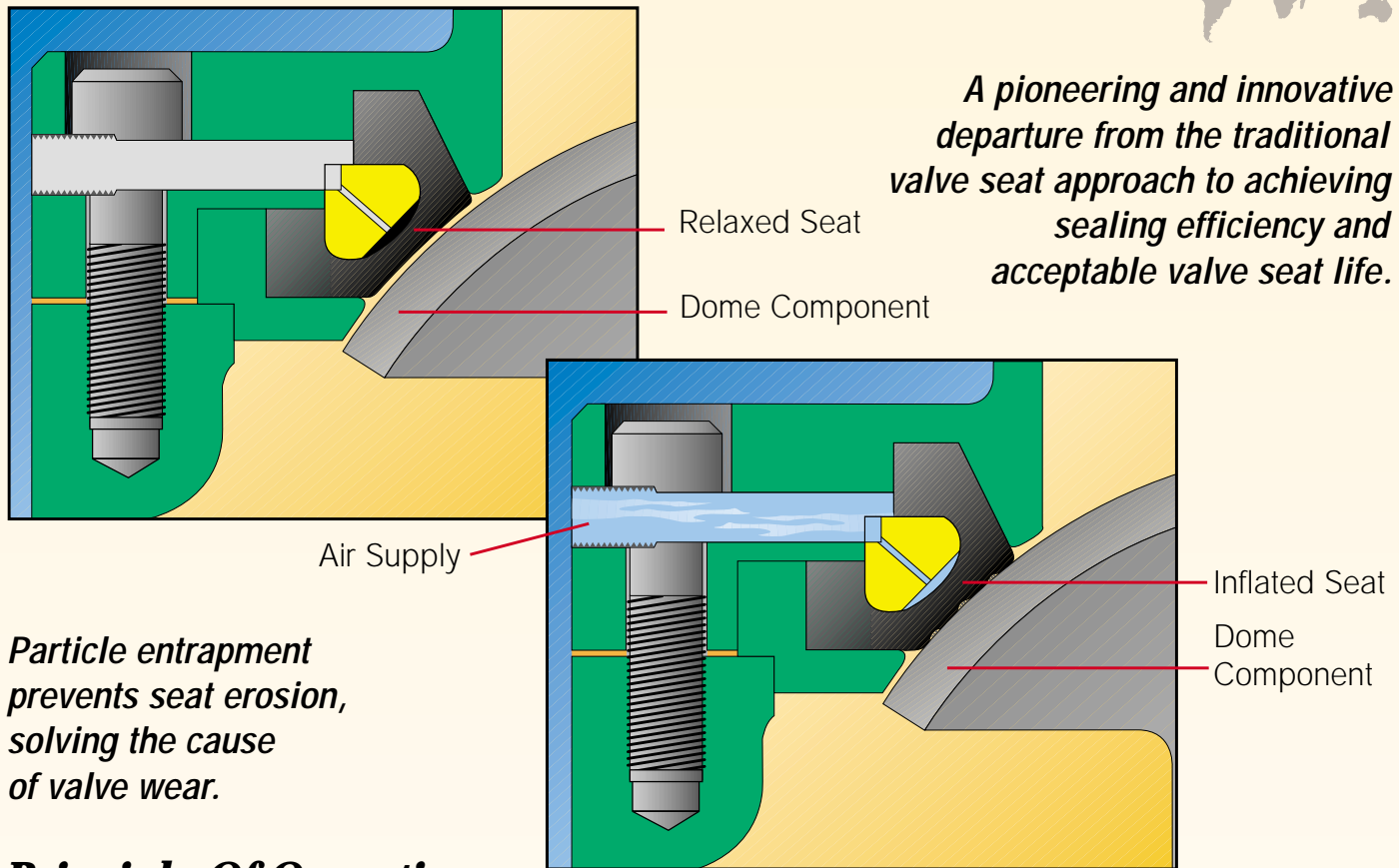


*The Process Engineering
Valve Solution*

Macawber

DOME VALVE® II Inflatable Seat Valves

Macawber



Particle entrapment prevents seat erosion, solving the cause of valve wear.

Principle Of Operation

The Dome component closes beneath the seat(seal) when the seal is relaxed (not inflated), allowing a controlled gap between the seat (seal) and the closing member (Dome). Material is allowed to pass through or enter the controlled gap if, due to its characteristics, it is pulled into the gap by the action of the Dome component moving to its closed position.

In the closed position, high pressure air or other gas enters the space between the back of the seal face and the insert ring to cause the seal face to expand onto and around the periphery of the Dome component. Material particles are entrapped by the seal against the dome surface, irrespective of particle size or shape. Before opening the valve, the seat is relaxed, and the controlled gap is reestablished before the Dome component moves to its open position.

The seal is a loose component clamped into place by a spigot piece and external fasteners holding the top plate assembly to the body. The seal is easily removed for inspection.

Inflatable Seats

Inflatable flexible seats entrap particles that are normally the cause of seat erosion. Particles are induced to move across valve seats under the influence of pressure differentials on either side of the closing member. Entrapping particles within a flexible face during the period of valve closure prevents particle movement and considerably reduces valve seat wear. Inflatable seats allow automatic wear compensation.

U.S. Patent No. 4,137,935

Flexible Seats

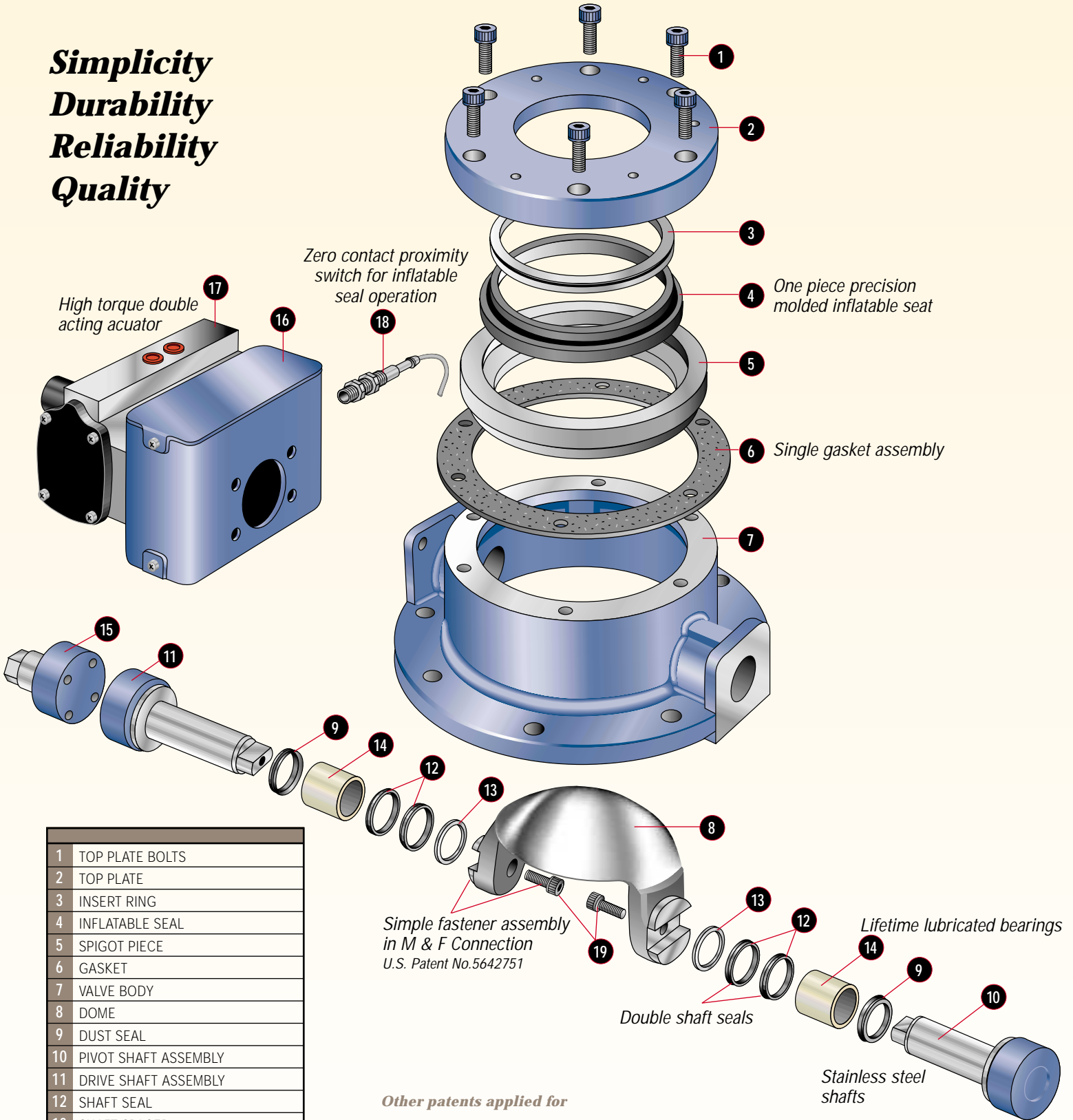
Flexible seats that do not inflate require the force of engagement on closing to entrap particles. However the flexible valve seat has limited life because the worn surface of the flexible seat cannot continue to reengage the closing member and entrap particles. Inflatable seats compensate for wear to the seat and provide longer sealing life.

Hard Seats

The conventional hard material approach to valve seat life relies on crushing particles between the faces. This approach does not attempt to entrap particles, but causes the particles remaining to become very small to reduce their erosion effect on the valve seat. However small the particles are, each particle contributes to continuing erosion. Particle movement and initial erosion allows accelerated subsequent erosion since the hard seats cannot compensate for wear.

DOME VALVE® II Advanced Features

Simplicity
Durability
Reliability
Quality



1	TOP PLATE BOLTS
2	TOP PLATE
3	INSERT RING
4	INFLATABLE SEAL
5	SPIGOT PIECE
6	GASKET
7	VALVE BODY
8	DOMES
9	DUST SEAL
10	PIVOT SHAFT ASSEMBLY
11	DRIVE SHAFT ASSEMBLY
12	SHAFT SEAL
13	SHAFT SPACER
14	BEARING
15	ACTUATOR DRIVE ASSEMBLY
16	ACTUATOR MOUNT
17	ACTUATOR
18	PROXIMITY SWITCH
19	DOMES-TO-SHAFT BOLT

Other patents applied for



DOME VALVE® II The Problem Solver

Macawber

Special Performance Advantages

The Dome Valve® is used in a wide variety of applications in almost every process. The unique closing and sealing action of the Dome Valve® enables continuous reliable operation where conventional valves fail to perform. Here is why:

Abrasive Materials

Slurries, bulk powders, granules, lumps or dust-laden gases cause seat erosion and ineffective closure. The inflatable seal provides continuous wear compensation.

Pressure Differential

Pressure differential also causes accelerated seat wear in conventional seat valves. The inflatable seal provides continuous wear compensation.

High Temperature

Thermal expansion prevents consistent valve seat action. The inflatable seal provides compensation throughout the temperature range of 0° to 660°F (350°C). Temperatures above this range may be accepted using special valve configurations.

Close and Seal

The displacement action of the rotating dome within the valve housing allows rotation of a solid column of material so that a choke-filled Dome Valve® will close and seal through packed material.

Seal Protection

Seal protection and dome scraper ring remove particles adhering to the dome surface to affect seal performance.

Drive Options

Power operated and manually operated options available.

Abrasion/Temperature/Pressure

Conventional seat valves cannot achieve operating reliability with any combinations of the severe application conditions listed, but the Dome Valve® does. It has achieved successful performance in more than 100,000 installations in a diverse array of applications.

Reliability

A heavy-duty valve designed to perform where other valves cannot. Rated for 1 million cycles between inspections in approved applications.



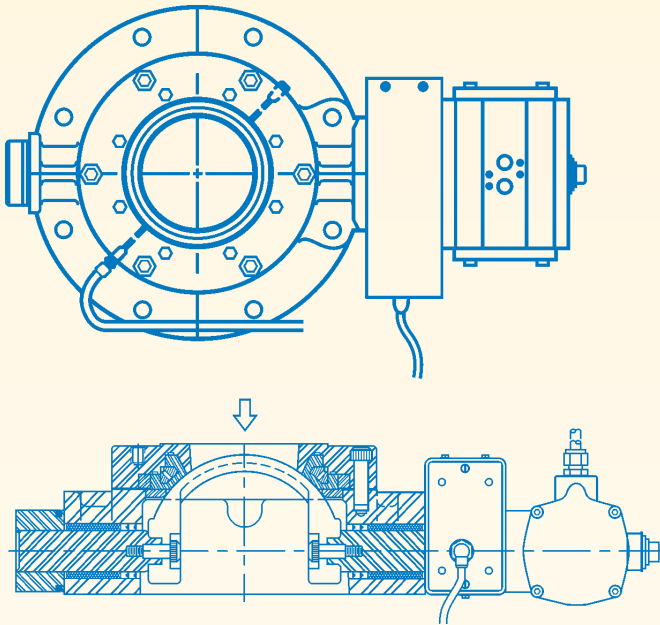
Applications In Every Process Worldwide

More than 100,000 Dome Valves® are in operation in almost every country of the world, providing long life and operating reliability where conventional valves have failed.

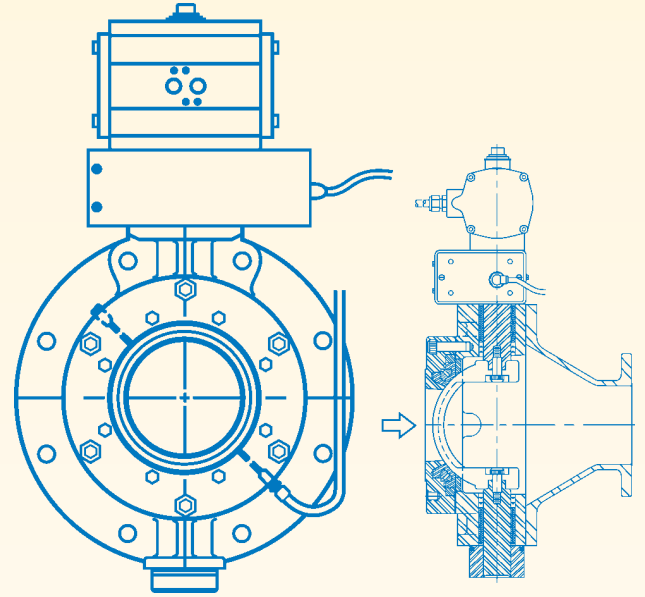
DOME VALVE® II Standard Configurations

Macawber

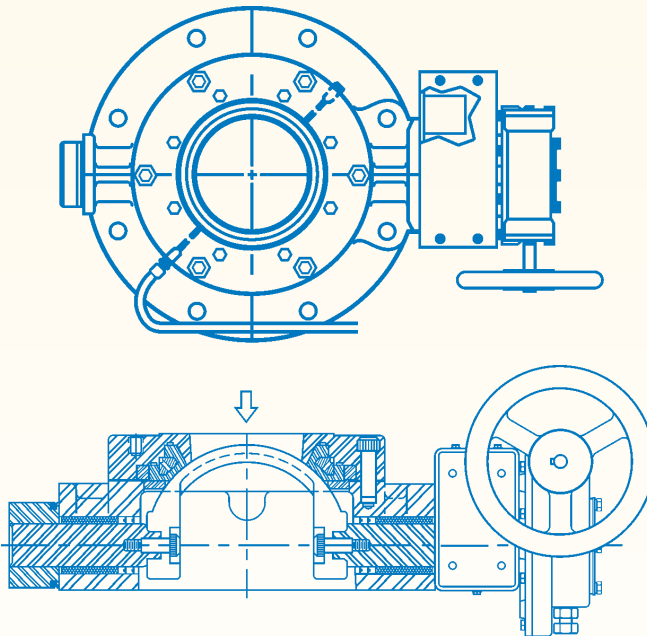
Bulkhead - Actuator Operated



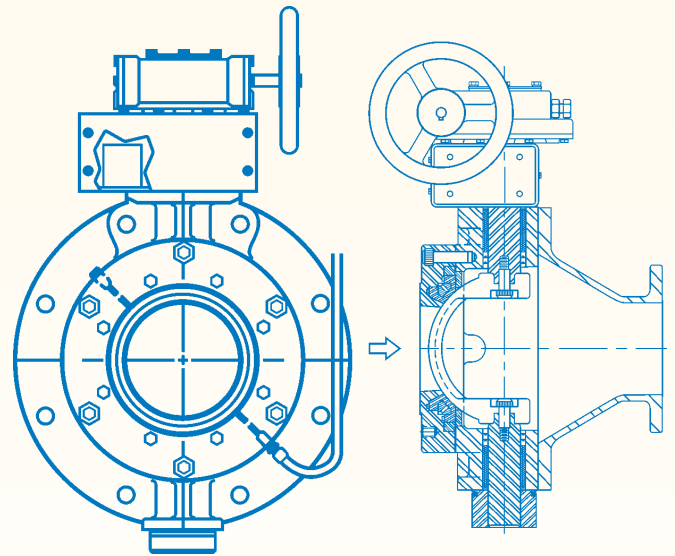
In-Line - Actuator Operated



Bulkhead - Hand Operated



In-Line - Hand Operated



(Patent Applied For)

(Patent Applied For)

Standard Options

Size Options: 2", 4", 6", 8" 10", 12"

Design Temperature: 230°F (110° C) / 400°F (200° C) / 535°F (280° C)

Design Pressure: 100 psig (6.89 Barg.)

Flanges: ANSI 150 / PN 10

Construction: Cast Iron A48 C40 / Stainless Steel 304/316 /
Carbon Steel A516 70N

Non-Standard Options

Size Options: To 24"

Design Temperature: To 660°F (350° C)

Design Pressure: To 630 psig (43 Barg.)

For details, please refer to Specification & Dimensional Data booklet 1-39



Mactenn Systems Ltd.

One Bull Lane, Acton,
Sudbury, Suffolk, CO10 OBD
ENGLAND
Phone: 44 (1787) 882 422
Fax: 44 (1787) 882 433
admin@mactenn.com

***Macawber Engineering Systems
India Pvt. Ltd.***

131, Hindustan Kohinoor Complex,
L.B.S. Marg, Vikhroli (West)
Bombay – 400083
INDIA
Phone: 91 (022) 5794624
Fax: 91 (022) 5772047

Macawber Japan

3-11-1, Shinmachi, Nishi-ku
Osaka 550
JAPAN
Phone: 81 (06) 538-9190
Fax: 81 (06) 533-2979

Macawber China

12F-C Da An Building
373 Jiang Ning Road
Shanghai 200041
CHINA
Phone: 86 (021) 6253-1188
Fax: 86 (021) 6253-1188

Macawber Do Brazil

Av. Dr. Pedro Lessa, 1.447 – Conj. 23
Santos – Sao Paulo
BRAZIL – CEP 11025-001
Phone: (013) 271-3899
Fax: (013) 271-3899

Macawber Engineering Inc.

INFLATABLE SEAT VALVES
ADVANCED PNEUMATIC CONVEYING SYSTEMS
CONTROLLED RATE INJECTION SYSTEMS

1829 Clydesdale Street, Maryville, Tennessee USA 37801

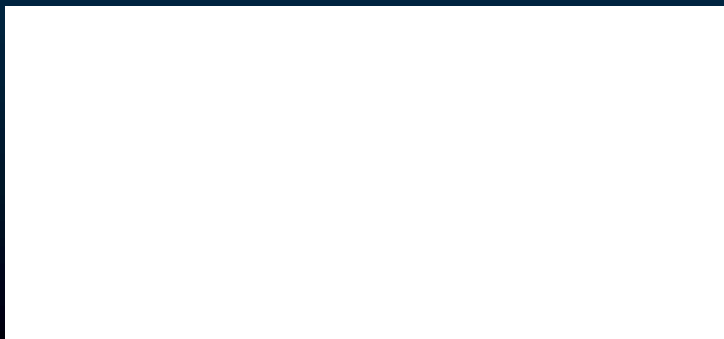
Telephone (865)984-5286 • Fax (865)977-4131

macawber@macawber.com

1-800-433-2213

www.domevalve.com

Your Local Distributor:



ISO 9001

Company Management
Quality Certification



Pressure Vessel
Quality Assurance Certification



TÜV BAYERN SACHSEN
Product Quality Assurance
Certification (Germany)



Product Safety requirements satisfy the
Directives of the European Commission.