

The **Type DV Switch Valve** is used to form two branches in a single conveying line handling large, lump material, and/or materials at high temperature. It is self supporting and may be mounted in the vertical, horizontal, or intermediate positions.

The **Dome Valve** is a superior valve for operating with abrasive materials and with a pressure differential. It is able to close **through** the column of material and achieve a **pressure tight seal**.

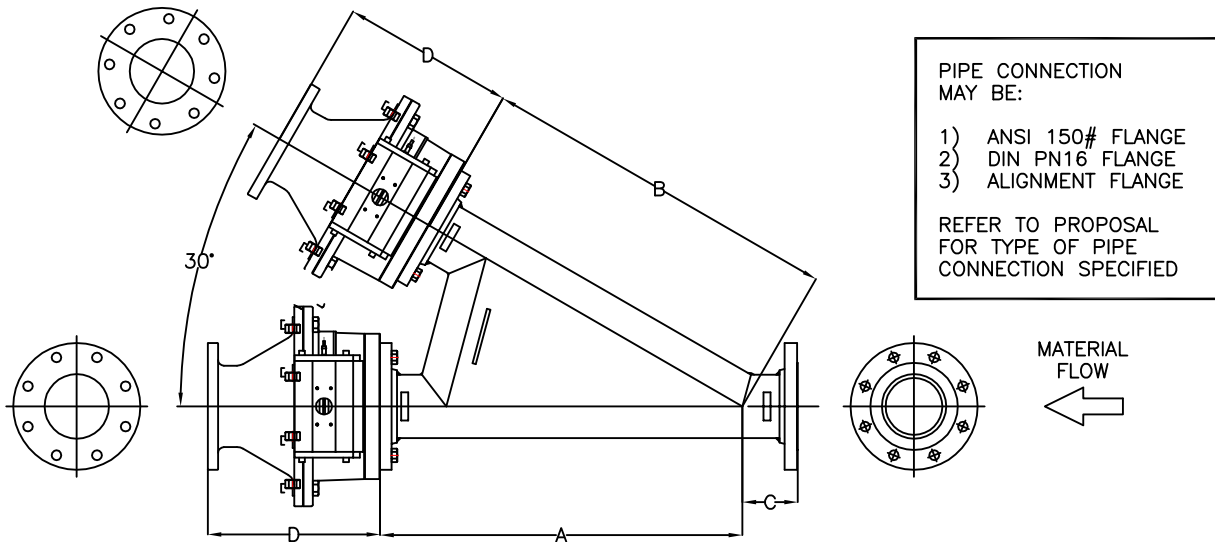
The **DV Type Switch Valve** is a superior valve design for heavy duty requirements with demanding abrasive and/or hot materials and is maintenance free and durable for long life.

Macawber

Engineering Inc.,

ADVANCED PNEUMATIC CONVEYING & INJECTION SYSTEMS
VALVES FOR ABRASIVE MATERIALS AND PRESSURE DUTY
BATCH MIXING AND INGREDIENT CONTROL
COMPLETE BULK MATERIAL SYSTEM DESIGN AND TURNKEY SUPPLY

TYPE DV SWITCH VALVE



MODEL (PIPE SIZE)	DIMENSIONS (INCH)				NET WT. (LBS)
	A	B	C	D	
2"	25 3/4	25 1/2	4	6	200
3"	53	51	4	14 7/8	210
4"	44 3/4	44 3/4	6	13 3/8	285
5"	44 1/4	47 1/4	6	15 1/2	475
6"	44 1/4	47 1/4	6	15 1/2	625
8"	45 1/2	45 1/2	8	18 3/4	885
10"	47	47 1/4	8	20 1/2	1540
12"	50	50	8	22 1/2	1985
14"	48 3/4	49	10	30 1/4	2880
16"	48 3/4	49	10	30 1/4	3090

INFORMATION NOT CERTIFIED FOR INSTALLATION PURPOSES

Macawber
Engineering Inc.,

ADVANCED PNEUMATIC CONVEYING & INJECTION SYSTEMS
VALVES FOR ABRASIVE MATERIALS AND PRESSURE DUTY
BATCH MIXING AND INGREDIENT CONTROL
COMPLETE BULK MATERIAL SYSTEM DESIGN AND TURNKEY SUPPLY