



The well-proven **Denseveyor** is a low velocity dense-phase conveying system assembly that is widely used throughout all process industries in all countries of the world.

Introduced in 1974, the system achieves low material transfer velocities, and the benefits are considerably reduced wear to conveying pipelines as well as remarkable power cost savings.

The system is available in a wide range of sizes and materials of construction for applications with almost all bulk materials where operating economy and extreme reliability is required.

The only moving part in the system is the quarter turn **Dome Valve**. Designed for more than one million cycles between inspections, the valve exceeds the performance of all other valves where continuous service with abrasive materials and a secure pressure differential is required.

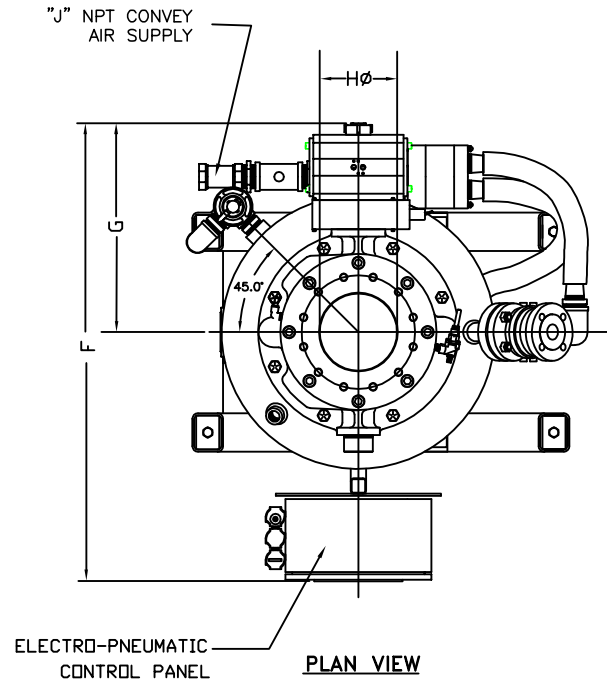
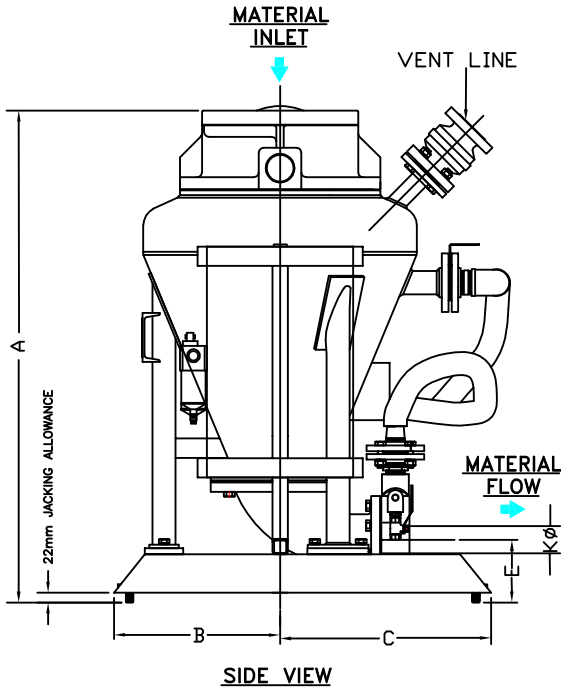
The **Denseveyor** is fully assembled and tested and requires only connection to the conveying pipeline and the operating utilities.

## Macawber

### Engineering Inc.,

ADVANCED PNEUMATIC CONVEYING & INJECTION SYSTEMS  
 VALVES FOR ABRASIVE MATERIALS AND PRESSURE DUTY  
 BATCH MIXING AND INGREDIENT CONTROL  
 COMPLETE BULK MATERIAL SYSTEM DESIGN AND TURNKEY SUPPLY

DENSEVEYOR



MODEL	DIMENSIONS (INCH)										NET WT. (LBS)
	A	B	C	E	F	G	H	J	K		
4/4-4	49 7/8	15 3/4	13 1/8	6 1/4	46 7/8	21 3/8	8	2	4	740	
4/8-4	50 1/2	15 3/4	13 1/8	6 1/4	46 7/8	21 3/8	8	2	4	1000	
8/8-5	61 1/8	15 3/4	13 1/8	9 1/2	49 1/4	21	8	2	5	1150	
12/8-6	68 7/8	15 3/4	13 1/8	9 7/8	50 1/2	21	8	2 1/2	6	1220	
12/12-6	71 1/8	15 3/4	13 1/8	9 3/8	44 1/2	20 1/2	8	2 1/2	6	1660	
20/12-8	79 3/4	15 3/4	15 3/4	8 3/4	44 1/2	17 1/8	12	3	8	2550	
30/12-10	89 5/8	18 3/4	19 3/4	12	45 1/8	14 3/4	12	3	10	3310	
50/12-12	116 3/8	18 3/4	19 3/4	13 1/4	63 1/4	30 3/4	12	4	12	4450	
80/16-12	144 7/8	18 3/4	19 1/2	12	63 1/4	30 3/4	16	4	12	5400	
95/16-12	166 1/2	18 3/4	19 3/4	13 1/4	72 3/4	35 3/8	16	5	12	6900	
120/16-12	187 3/8	18 3/4	19 3/4	13 1/4	88 1/2	43	16	6	12	8500	

INFORMATION NOT CERTIFIED FOR INSTALLATION PURPOSES

**Macawber**  
Engineering Inc.,

ADVANCED PNEUMATIC CONVEYING & INJECTION SYSTEMS  
VALVES FOR ABRASIVE MATERIALS AND PRESSURE DUTY  
BATCH MIXING AND INGREDIENT CONTROL  
COMPLETE BULK MATERIAL SYSTEM DESIGN AND TURNKEY SUPPLY