

The **Sandpump** is a development of the **Denseveyor** low velocity dense-phase conveying system. It is a value engineered system specifically for the special needs of sand only handling systems.

Designed for little or no maintenance in locations where maintenance attention is at a premium. No constantly moving parts and simple controls. Fitted with the famous **Dome Valve** which is well proven to perform reliably when operating with abrasive materials. The only valve that can close and seal on a static column of material and support a pressure differential.

Transfer of velocity of the sand is controlled to very low values to allow the use of standard pipe work without maintenance from pipe wear. This also benefits air usage which is extremely low and very economical.

No pipeline boosters are required which are unnecessary for a controlled low sand velocity through the pipeline. This saves further maintenance and the cost of running air lines to the booster connections. As of 2005 more than 4000 systems are in operation throughout the world since 1977 when it was introduced.

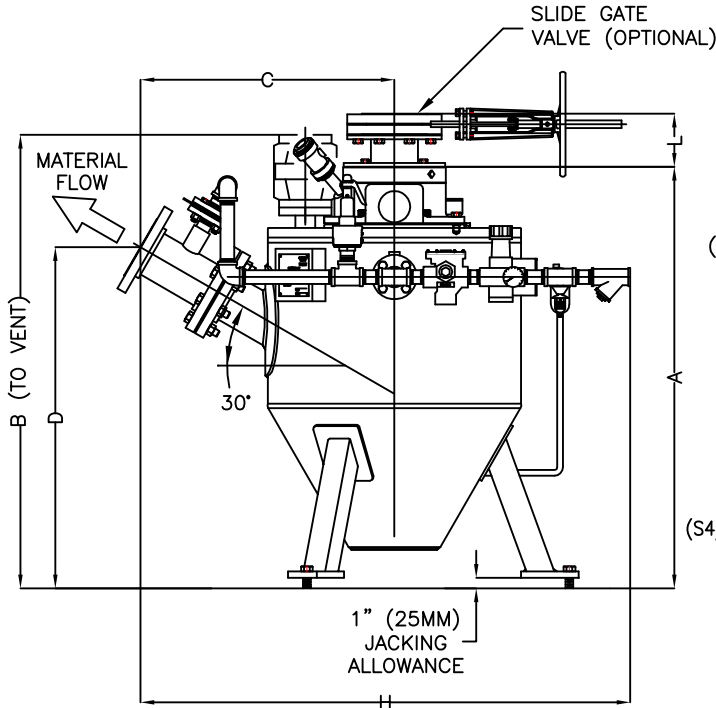
The system design and components are subject to continuous development and improvement for lower product cost and performance.

## **Macawber**

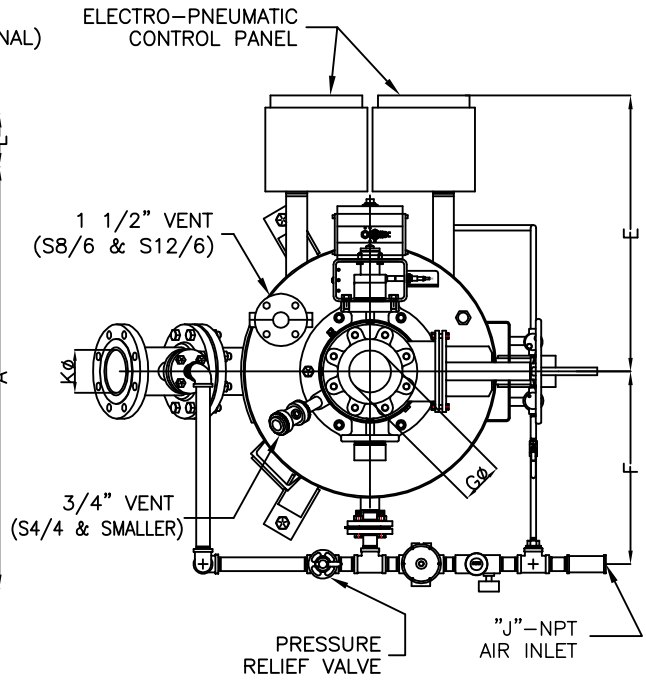
**Engineering Inc.,**

ADVANCED PNEUMATIC CONVEYING & INJECTION SYSTEMS  
VALVES FOR ABRASIVE MATERIALS AND PRESSURE DUTY  
BATCH MIXING AND INGREDIENT CONTROL  
COMPLETE BULK MATERIAL SYSTEM DESIGN AND TURNKEY SUPPLY

**SANDPUMP**



**SIDE VIEW**



**PLAN VIEW**

MODEL	DIMENSIONS (INCH)											NET WT. LBS
	A	B	C	D	E	F	G	H	J	K	L	
S.2/4-2	27 1/8	29 1/4	16 7/8	22	21	14	4	36 5/8	1	2	5	360
S.3/4-3	34 3/8	36 3/4	20 1/8	26 1/8	21 1/4	18	4	41 1/4	1	3	5	500
S.4/4-4	40 1/4	42	21 1/4	32 3/8	26 3/8	18 3/8	4	48 3/4	1	4	5	540
S.8/6-5	46 1/2	50 3/8	28 3/8	36 7/8	29 3/8	25	6	55 3/8	2	5	6	1030
S.12/6-6	58 1/4	59 3/4	28 1/2	38 5/8	29 7/8	22 1/2	6	56 5/8	2	6	5 1/4	1100
S.20/8-8	59	62	34 7/8	42	35	34	8	66 7/8	2	8	5 3/4	2000
S.30/8-10	76	67	34 7/8	43 3/4	38	37	8	69 3/8	3	8	5 3/4	2500

INFORMATION NOT CERTIFIED FOR INSTALLATION PURPOSES

**Macawber**

**Engineering Inc.,**

ADVANCED PNEUMATIC CONVEYING & INJECTION SYSTEMS  
VALVES FOR ABRASIVE MATERIALS AND PRESSURE DUTY  
BATCH MIXING AND INGREDIENT CONTROL  
COMPLETE BULK MATERIAL SYSTEM DESIGN AND TURNKEY SUPPLY