

The **Super Denseveyor** is a development of the **Denseveyor** low velocity dense-phase pneumatic conveying system. It is a value engineered system specifically for the special needs of extremely low velocity material transfer where inter particle activity must be avoided to prevent material damage. A transfer velocity of less than 1 meter per second is available with a completely full pipeline for the entire length of the pipeline.

Designed for little or no maintenance in locations where maintenance attention is at a premium with no constantly moving parts and simple controls. Fitted with the famous **Dome** valve which is well proven to perform reliably when operating with any materials. It is the only valve that can close and seal on a column of material and support a pressure differential.

No pipeline boosters are required which are unnecessary for a controlled very low sand velocity through the pipeline. This process saves further maintenance and the cost of running air lines to the booster connections.

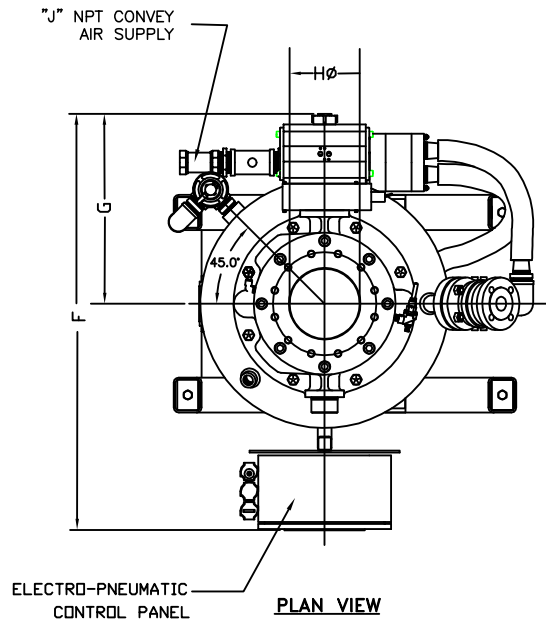
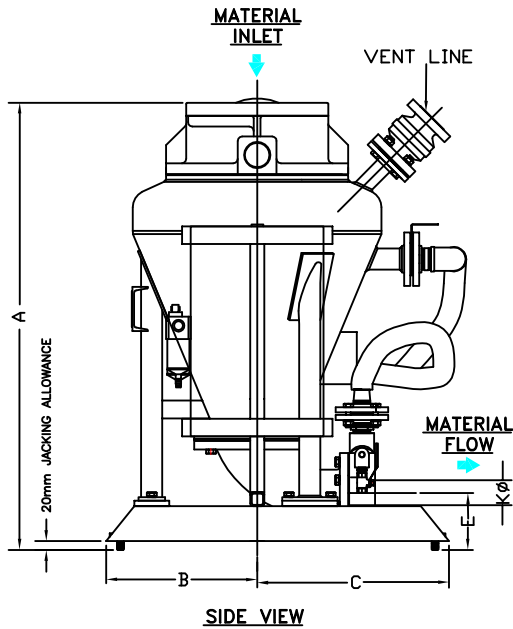
The **Super Denseveyor** is normally used for the clean transfer of fragile food materials such as whole peanuts without breakage. The system design and components are subject to continuous development and improvement for lower product cost and performance.

Macawber

Engineering Inc.,

ADVANCED PNEUMATIC CONVEYING & INJECTION SYSTEMS
 VALVES FOR ABRASIVE MATERIALS AND PRESSURE DUTY
 BATCH MIXING AND INGREDIENT CONTROL
 COMPLETE BULK MATERIAL SYSTEM DESIGN AND TURNKEY SUPPLY

SUPER DENSEVEYOR



MODEL	DIMENSIONS (INCH)										NET WT. (LBS)
	A	B	C	E	F	G	H	J	K		
4/8-4	50 1/2	15 3/4	13 1/8	6 1/4	46 7/8	21 3/8	8	2	4	1000	
8/8-5	61 1/8	15 3/4	13 1/8	9 1/2	49 1/4	21	8	2	4	1150	
12/12-6	71 1/8	15 3/4	13 1/8	9 7/8	44 1/2	20 1/2	12	2 1/2	6	1550	
20/12-8	79 3/4	15 3/4	15 3/4	8 3/4	44 1/2	17 1/8	12	3	8	2550	
30/12-10	89 5/8	18 3/4	19 3/4	12	45 1/8	14 3/4	12	3	10	3310	
50/12-10	116 3/8	18 3/4	19 3/4	13 1/4	63 1/4	30 3/4	12	4	12	4450	

INFORMATION NOT CERTIFIED FOR INSTALLATION PURPOSES

Macawber
Engineering Inc.,

ADVANCED PNEUMATIC CONVEYING & INJECTION SYSTEMS
VALVES FOR ABRASIVE MATERIALS AND PRESSURE DUTY
BATCH MIXING AND INGREDIENT CONTROL
COMPLETE BULK MATERIAL SYSTEM DESIGN AND TURNKEY SUPPLY