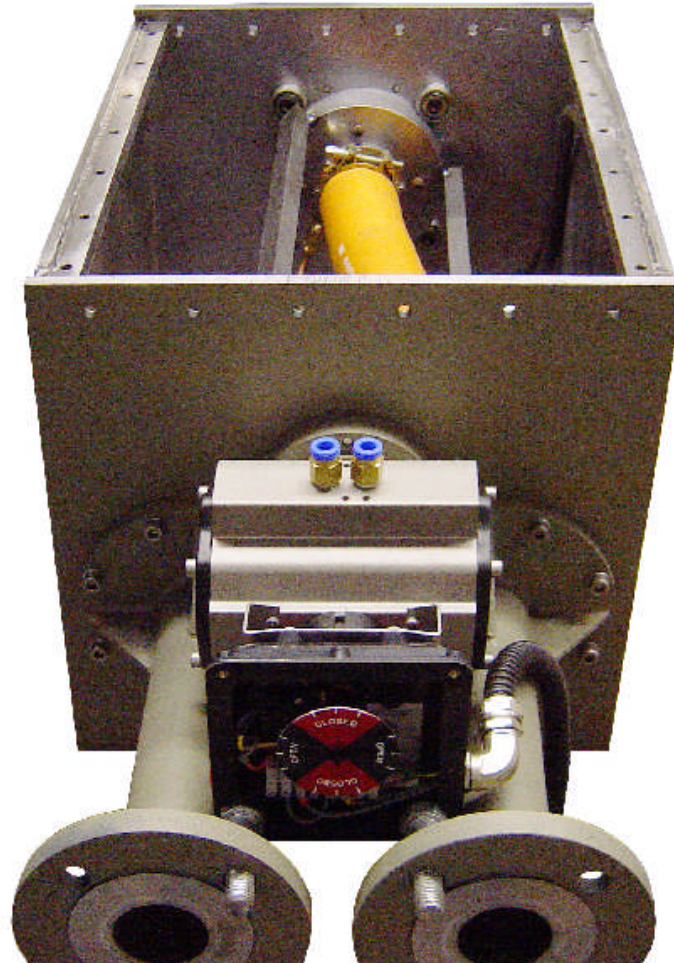


TYPE T SWITCH VALVE



The **Type T Switch Valve** is used to form two branches in a conveying line handling cohesive or moist materials. It is self supporting in the conveying line and should be mounted vertically for best results. The valve action is self cleaning and does not leave any residual material between position changes.

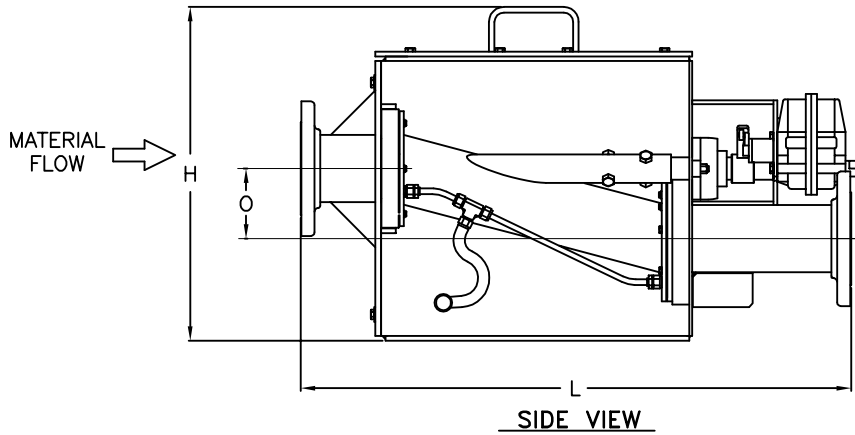
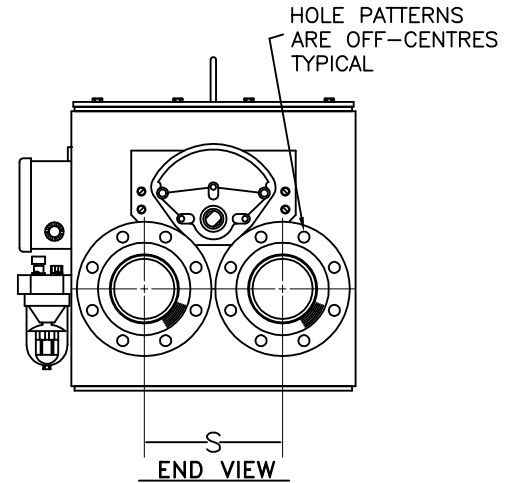
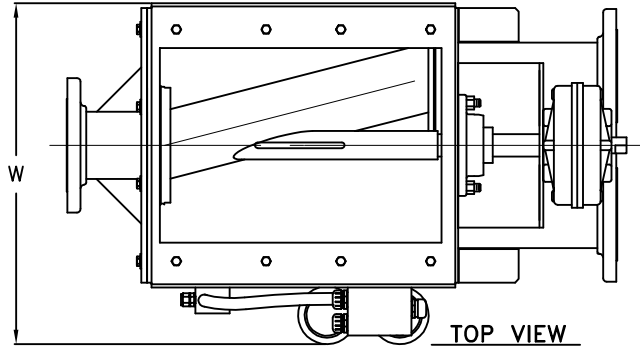
The changeover action operates with a novel parallel motion which requires only a small movement to realign inlet and outlet parts for the new direction.

A pneumatic seal is incorporated into the wall of the internal pipe section which is automatically inflated when accepting a delivery of materials; to prevent the material entering the housing and the shaft bearings.

Macawber
Engineering Inc.,

ADVANCED PNEUMATIC CONVEYING & INJECTION SYSTEMS
VALVES FOR ABRASIVE MATERIALS AND PRESSURE DUTY
BATCH MIXING AND INGREDIENT CONTROL
COMPLETE BULK MATERIAL SYSTEM DESIGN AND TURNKEY SUPPLY

TYPE T SWITCH VALVE



| MODEL (PIPE SIZE) | DIMENSIONS (INCH) | | | | | NET WT. (LBS) |
|----------------------|-------------------|------------|------------|------------------|------------|------------------|
| | W (WIDTH) | H (HEIGHT) | L (LENGTH) | S (PIPE SPACING) | O (OFFSET) | |
| 50mm[2"] | 15 1/4 | 14 3/4 | 24 1/2 | 6 1/4 | 3 1/8 | 254 |
| 80mm[3"] | 19 | 18 5/8 | 30 3/4 | 7 3/4 | 4 | 378 |
| 100mm[4"] | 22 3/4 | 22 3/8 | 37 5/8 | 9 1/8 | 4 3/4 | 507 |
| 125mm[5"] | 25 3/8 | 25 | 41 | 10 1/8 | 5 3/4 | 641 |
| 150mm[6"] | 28 | 27 1/4 | 45 | 11 3/8 | 5 3/4 | 777 |
| 200mm[8"] | 34 1/4 | 33 1/2 | 55 1/4 | 13 1/2 | 7 1/8 | 1056 |
| 250mm[10"] | 40 3/4 | 39 3/4 | 65 1/2 | 16 1/2 | 8 3/8 | 1343 |

INFORMATION NOT CERTIFIED FOR INSTALLATION PURPOSES

Macawber
Engineering Inc.,

ADVANCED PNEUMATIC CONVEYING & INJECTION SYSTEMS
VALVES FOR ABRASIVE MATERIALS AND PRESSURE DUTY
BATCH MIXING AND INGREDIENT CONTROL
COMPLETE BULK MATERIAL SYSTEM DESIGN AND TURNKEY SUPPLY